

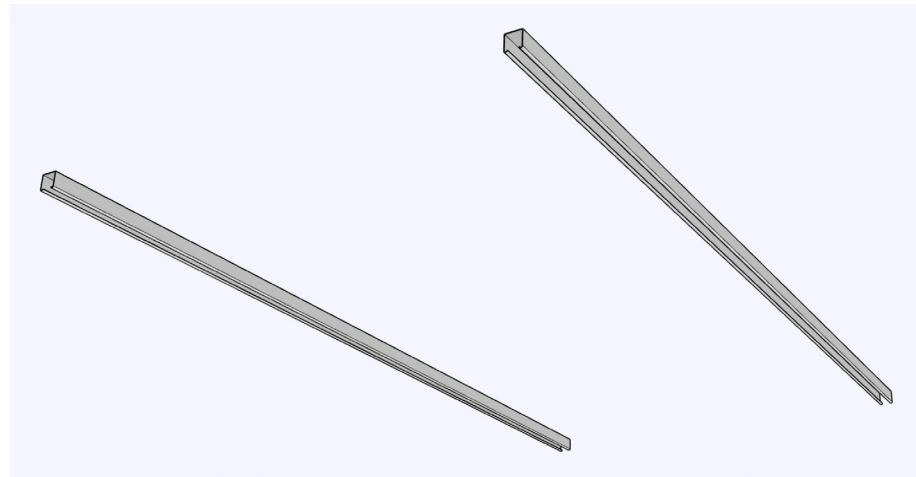
J2 PET Felt Unistrut Lock Baffle System

J2 Systems Unistrut Lock Baffle Systems include baffles pre-cut with notches that easily snap-in to standard Unistrut hardware. In some cases Unistrut may be provided by J2 Systems, and in other cases the Unistrut may be acquired separately by the installer.

Baffle system dimensions may vary. Refer to the dimension guide for your specific system to determine placement of rails.

1. Attach Unistrut rails to the structure at the desired height and parallel to each other. Depending on the distance between the ceiling and the desired height of the Unistrut rails, Allthread or cables may be used. (Due to varying structure materials, fasteners are not included.) Ensure the Unistrut rails are anchored every 48 inches down the length of the rail.

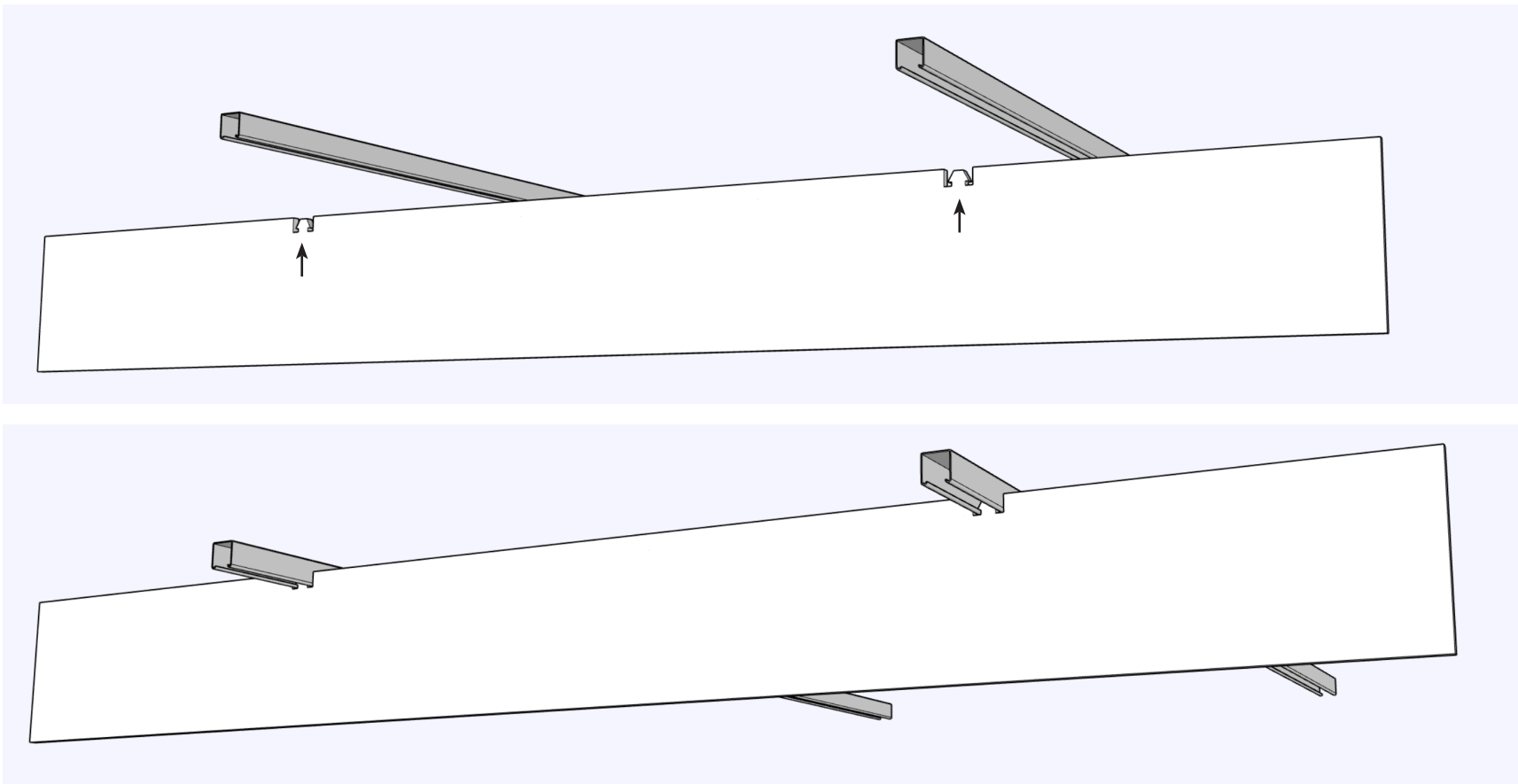
NOTE: Rails need to be placed on center at the required distance and must be parallel.



J2 PET Felt Unistrut Lock Baffle System

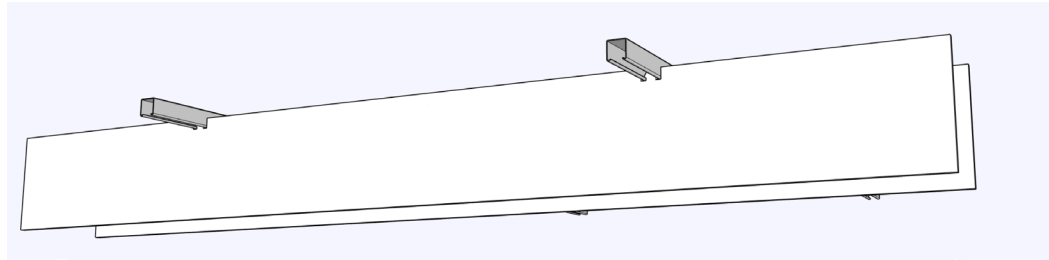
2. Once all Unistrut rails are installed, align the first baffle blade notch with the rail and firmly press upward until it snaps into place.

NOTE: When inserting baffle onto the rail, be sure that the baffle is pushed straight up to avoid bending or creasing the baffle.



J2 PET Felt Unistrut Lock Baffle System

3. Slide the baffle on the rail to the desired position.



4. Insert the next baffle repeating steps 2-4.

