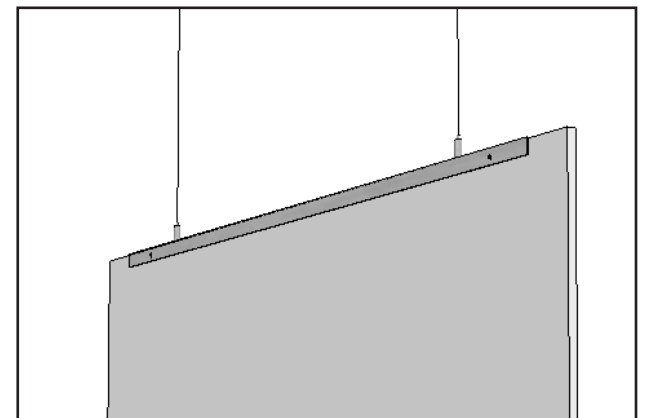
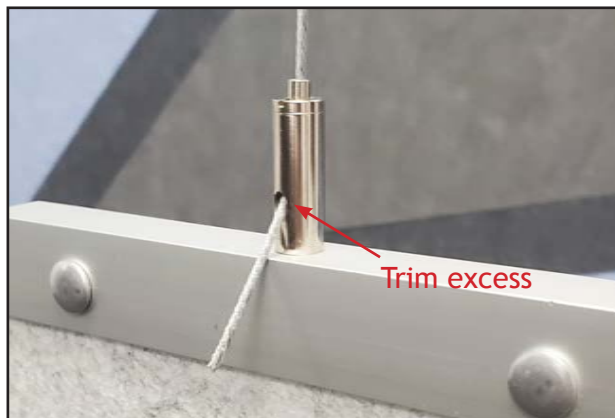
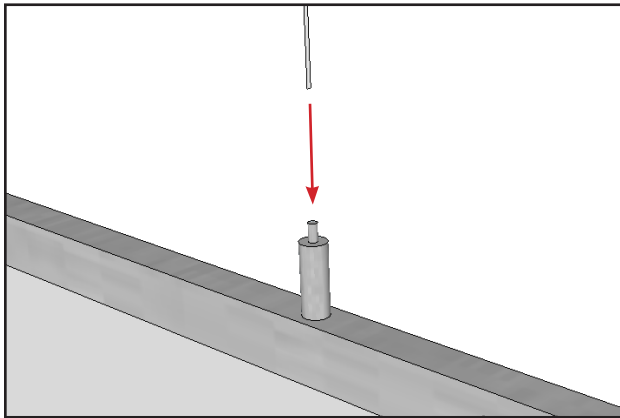


J2 PET Room Divider

PRODUCT ASSEMBLY AND INSTALLATION GUIDE


Assembly Instructions


- 1) Attach the provided 1/16in cable to structure at the looped end.
- 2) Insert bare cable end through bullet cable adjuster, then slide cable through adjuster until Room Divider reaches desired height (depress collar at top of bullet cable adjuster to release cable for downward adjustments).



- 3) Once room divider is at desired height, clip excess cable at exit point on the bullet adjuster.

 www.j2systems.net

 sales@j2systems.net

 (801) 701-7979