

J2 PET Felt Horizontal Acoustic Cloud

PANEL ASSEMBLY

1. Place the panel face down on a clean, dry, flat surface (an "X" can be found in the corner of the panel on the back.) Place L brackets according to diagram A on panel (2" from edge of panel.) Ensure that the leg of the bracket with the most pre-drilled holes attaches to the back of the panel (the leg with fewer holes will be used to suspend the panel.) Use the screws (x18) to fasten L brackets to the back of the panel as shown in diagram A. **Do not over-tighten screws.**

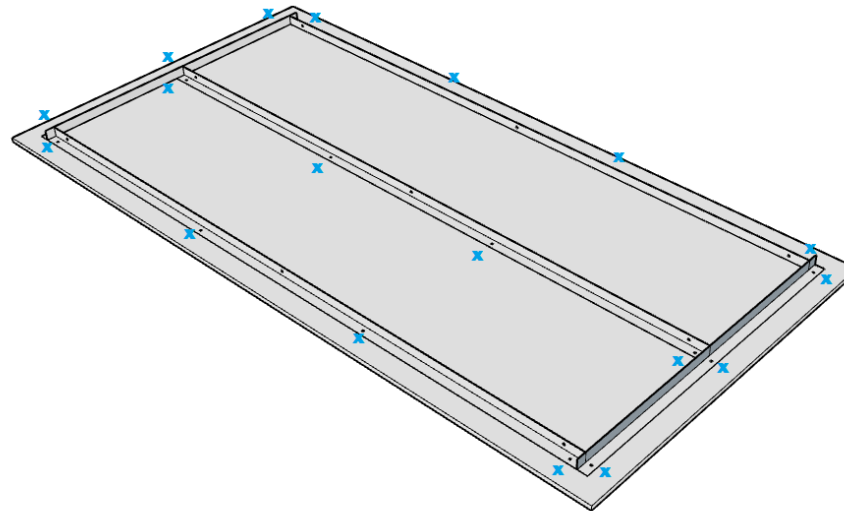


Diagram A

2. Determine mounting location on ceiling. Attach cable to hardware mounted to substrate (not included) using the looped end.

J2 PET Felt Horizontal Acoustic Cloud

- Using the supplied cable adjuster kit (x5), insert the bare end of the cable (without loop) through adjuster (following arrow indicator on adjuster.) Insert wire through pre-drilled suspension point holes on L bracket (Diagram B), then back through cable adjuster.

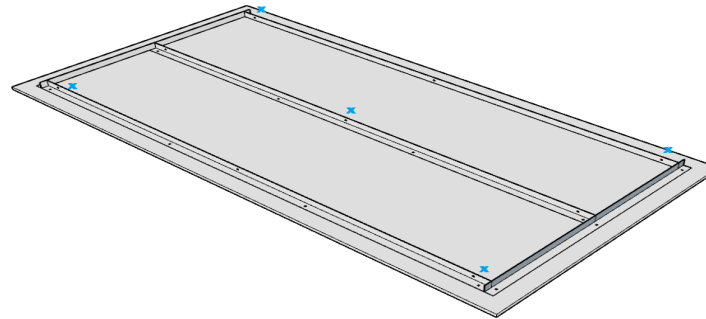


Diagram B

- Once the panel is suspended, adjust height by feeding more wire through adjuster (shorter) or depressing collar and revising cable (longer.) Once the panel is in the desired location, trim excess wire.

